



Manual cleaning and disinfection of instruments

Step-by-step instructions

It's in your hands –
infection prevention in veterinary medicine

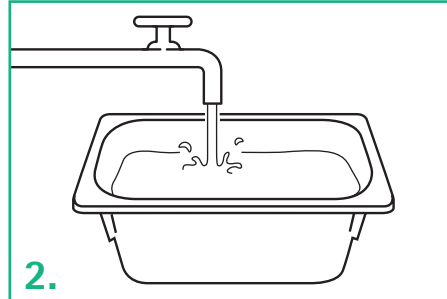


B | BRAUN

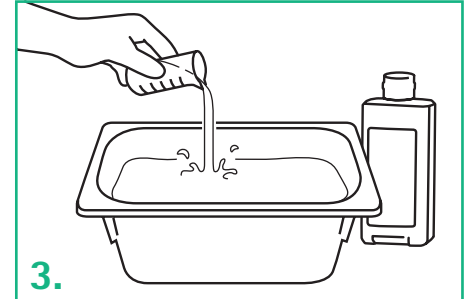
Manual cleaning and disinfection of instruments



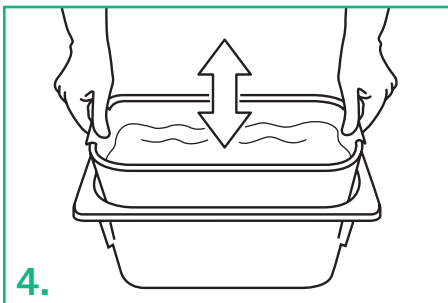
Put on liquid-tight protective aprons, protective goggles and nose and mouth protection (or full visor masks). Put on protective gloves with long cuff.



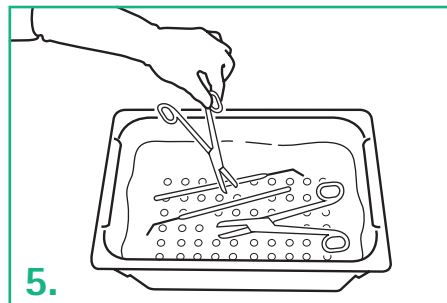
Fill instrument tray with cold water and clean with a cleaning agent (if necessary, combination product cleaning agent/disinfectant) according to manufacturer's specifications. Carry out any necessary brush cleaning beneath the surface of the water. Intermediate rinse (drinking water quality). Clean instruments that are not clean one more time.



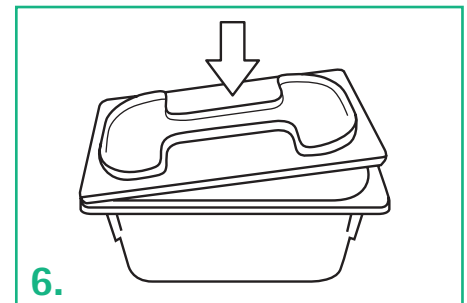
Measure the disinfectant using a suitable dosing system and place in a second instrument tray with cold water. For powder products, wait for the agent to dissolve and follow the manufacturer's instructions.



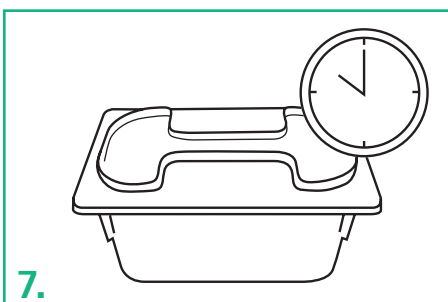
The solution is mixed by inserting the sieve insert.



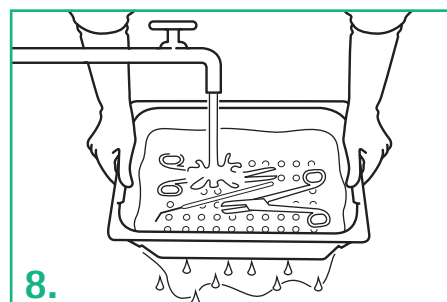
Place instruments in the solution while open and make sure that they are completely covered and free of air bubbles.



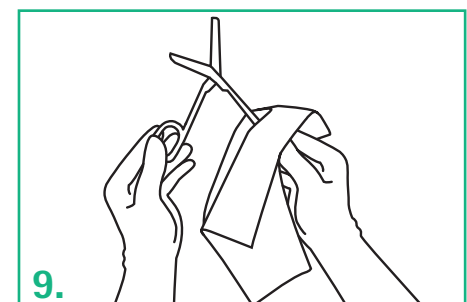
Close bottom.



Wait for the exposure time specified by the manufacturer.
Caution: The exposure time starts with the last instrument set down.



Thoroughly rinse instruments under running, cold water (at least drinking water quality, preferably DI water).



Dry with germ-free, lint-free cloths. Visually inspect instruments for cleanliness and integrity. Continue to reprocess (maintain, package, sterilize) the instruments as required.